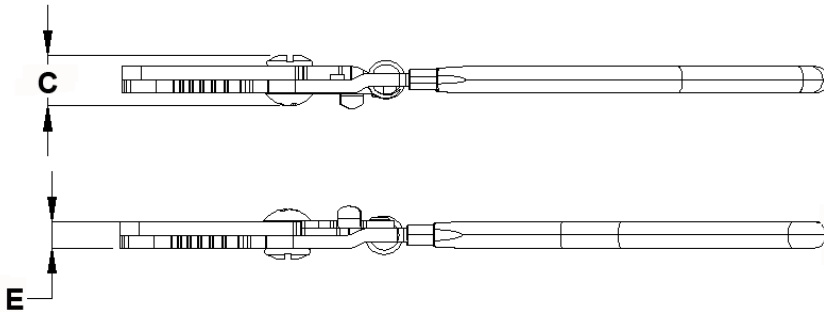


Patent # 8,365,418

ACT STOCK STRIPPER OPENINGS					
GA	CA	Ø	MM	Ø	IN
12	10	2.69		.106	
14	12	2.18		.088	
16	14	1.83		.072	
18	16	1.57		.062	
20	18	1.29		.051	
22	20	1.09		.043	



ADVANCED CABLE TIES PART NUMBER				A	B	C	D	E		
				IN (mm)	IN (mm)	IN (mm)	IN (mm)	IN (mm)		
MG-1400				6.630 (168.402mm)	2.340 (59.436mm)	.470 (11.938mm)	.390 (9.906mm)	.250 (6.350mm)		
							ADVANCED CABLE TIES – CABLE TIE REMOVAL TOOL & WIRE STRIPPER			
							SHEET 1 OF 1	REV.: A	DRAWING NO.: MG1400-A	
A	1/12/15	JA	KT	KT	INITIAL RELEASE		DRAWN BY	DATE	CHECK	SCALE
REV	DATE	BY	CHK	APPROVE	DESCRIPTION		JA	1/12/2015	KT	NONE

CONFIDENTIAL PROPERTY OF ADVANCED CABLE TIES, INC.
THIS DRAWING IS PROVIDED ON A RESTRICTED BASIS AND IS NOT TO BE USED IN ANY WAY DETRIMENTAL TO THE INTERESTS OF ADVANCED CABLE TIES, INC.