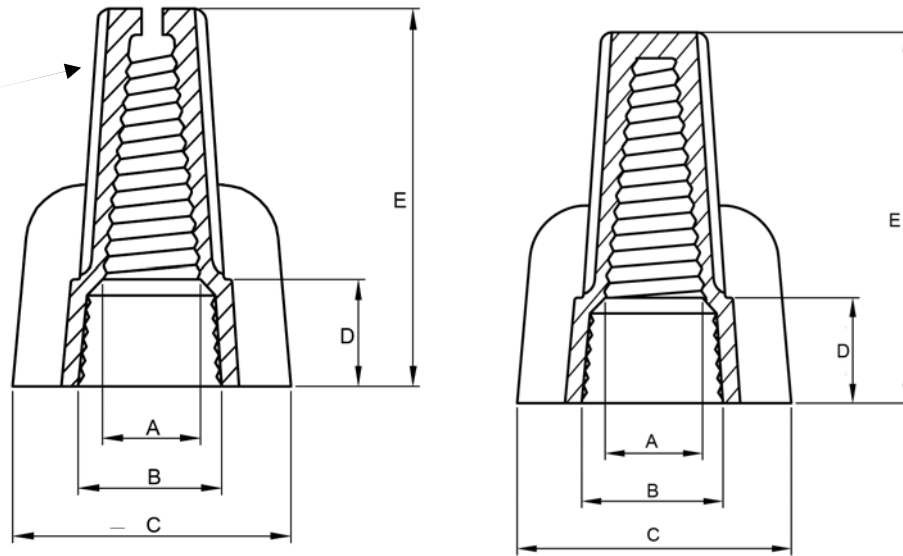


\*\*AL-ACG-GN  
(Model #: P99)



ADVANCED CABLE TIES PART NUMBER	WIRE RANGE	A IN (mm) + / - .007 (0.2 mm)	B IN (mm) + / - .007 (0.2 mm)	C IN (mm) + / - .007 (0.2 mm)	D IN (mm) + / - .007 (0.2 mm)	E IN (mm) + / - .007 (0.2 mm)	COLOR	VOLTAGE	ANSI/UL 94 MII FLAMABILITY RATING	WORKING TEMPERATURE	REGULATORY APPROVALS
AL-ACW-YW (Model #: P11V)	#18-#10 AWG MAX: 2#12 W/1#14 MIN: 3#18	.251 (6.40mm)	.385 (9.80mm)	.716 (18.20mm)	.354 (9.00mm)	1.015 (25.80mm)	YELLOW	600V MAX	V-2	105°C	UL& CSA
AL-ACW-TN (Model #: P12)	#22-#8 AWG MAX: 4#12 MIN: 3#22 SOL	.283 (7.20mm)	.437 (11.10mm)	.720 (18.30mm)	.362 (9.20mm)	1.141 (29.00mm)	TAN	600V MAX	V-2	105°C	UL& CSA
AL-ACW-RD (Model #: P13)	#18-#8 AWG MAX: 5#12 SOL MIN: 3#16	.354 (9.00mm)	.511 (13.00mm)	.905 (23.00mm)	.377 (9.60mm)	1.251 (31.80mm)	RED	600V MAX	V-2	105°C	UL& CSA
AL-ACW-GY (Model #: P15)	#18-#8 AWG MAX: 3#10 MIN: 3#14 W/1#18	.393 (10.0mm)	.586 (14.90mm)	1.003 (25.50mm)	.393 (10.00mm)	1.311 (33.30mm)	GREY	600V MAX	V-2	105°C	UL& CSA
AL-ACW-BL (Model #: P17)	#14-#6 AWG MAX: 3#8 W/1#12 MIN: 2#10 W/1#12	.472 (12.00mm)	.700 (17.80mm)	1.259 (32.00mm)	.511 (13.00mm)	1.574 (40.00mm)	BLUE	600V MAX	V-2	105°C	UL& CSA
**AL-ACG-GN (Model #: P99)	#14-#10 AWG MAX: 5#12 MIN: 2#14	.326 (8.30mm)	.464 (11.80mm)	.795 (20.20mm)	.370 (9.40mm)	1.133 (28.80mm)	GREEN	N/A	V-2	105°C	UL& CSA



ADVANCED CABLE TIES – WING STYLE SCREW-ON WIRE CONNECTORS

SPRING INSERT:

STEEL

MATERIAL:

TOUGH THERMOPLASTIC

SHEET 1 OF 1

REV.: A

DRAWING NO.: WING-A

A	4/11/14	JA	KT	KT	INITIAL RELEASE	DRAWN BY	DATE	CHECK	SCALE
REV	DATE	BY	CHK	APPROVE	DESCRIPTION	JA	4/11/14	KT	NONE

CONFIDENTIAL PROPERTY OF ADVANCED CABLE TIES, INC.

THIS DRAWING IS PROVIDED ON A RESTRICTED BASIS AND IS NOT TO BE USED IN ANY WAY DETRIMENTAL TO THE INTERESTS OF ADVANCED CABLE TIES, INC.