

ADVANCED CABLE TIES PART NUMBER	A IN (mm) +/- .005 (.127mm)	B IN (mm) +/- .005 (.127mm)	C-Min. IN (mm) +/- .005 (.127mm)	D IN (mm) +/- .005 (.127mm)	E IN (mm) +/- .005 (.127mm)	F IN (mm) +/- .005 (.127mm)	G IN (mm) +/- .005 (.127mm)	COLOR/MATERIAL	COPPER COND. RANGE	REGULATORY
AL-R4A-6-C	.759 (19.28mm)	.145 (3.68mm)	.062 (1.57mm)	.455 (11.56mm)	.157 (3.99mm)	.146 (3.71mm)	.225 (5.71mm)	RED/VINYL	22-18	UL
AL-R4A-8-C	.946 (23.26mm)	.145 (3.68mm)	.062 (1.57mm)	.455 (11.56mm)	.270 (6.86mm)	.173 (4.39mm)	.312 (7.92mm)	RED/VINYL	22-18	UL
AL-R4A-10-C	.946 (23.26mm)	.145 (3.68mm)	.062 (1.57mm)	.455 (11.56mm)	.270 (6.86mm)	.198 (5.03mm)	.312 (7.92mm)	RED/VINYL	22-18	UL
AL-R4A-14-C	1.110 (28.19mm)	.145 (3.68mm)	.062 (1.57mm)	.455 (11.56mm)	.386 (9.80mm)	.265 (6.73mm)	.467 (11.86mm)	RED/VINYL	22-18	UL
AL-R4A-38-C	1.309 (33.25mm)	.145 (3.68mm)	.054 (1.37mm)	.455 (11.56mm)	.552 (14.02mm)	.390 (9.91mm)	.534 (13.56mm)	RED/VINYL	22-18	UL
AL-R4A-56-C	1.110 (28.19mm)	.145 (3.68mm)	.062 (1.57mm)	.455 (11.56mm)	.386 (9.80mm)	.328 (8.33mm)	.467 (11.86mm)	RED/VINYL	22-18	UL



RED VINYL INSULATED RING TERMINALS

COLOR:

RED

MATERIAL:

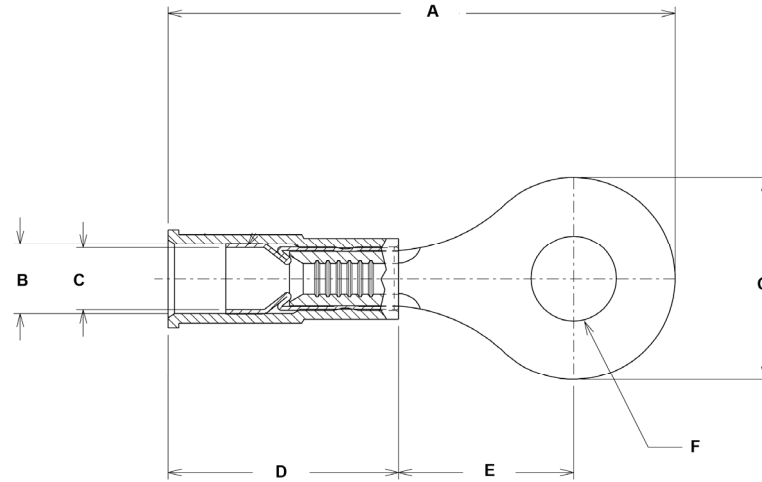
VINYL

B	10/21/21	DW	RB	RB	ISO DOC	SHEET 1 OF 1	REV.: B	DRAWING NO.: VI-RT-R-B		
A	5/22/14	JA	KT	KT	INITIAL RELEASE	DRAWN BY	DATE	CHECK	SCALE	
REV	DATE	BY	CHK	APPROVE	DESCRIPTION	JA	5/22/14	KT	NONE	

CONFIDENTIAL PROPERTY OF ADVANCED CABLE TIES, INC.

THIS DRAWING IS PROVIDED ON A RESTRICTED BASIS AND IS NOT TO BE USED IN ANY WAY DETRIMENTAL TO THE INTERESTS OF ADVANCED CABLE TIES, INC.

SPC-4.10.106.2

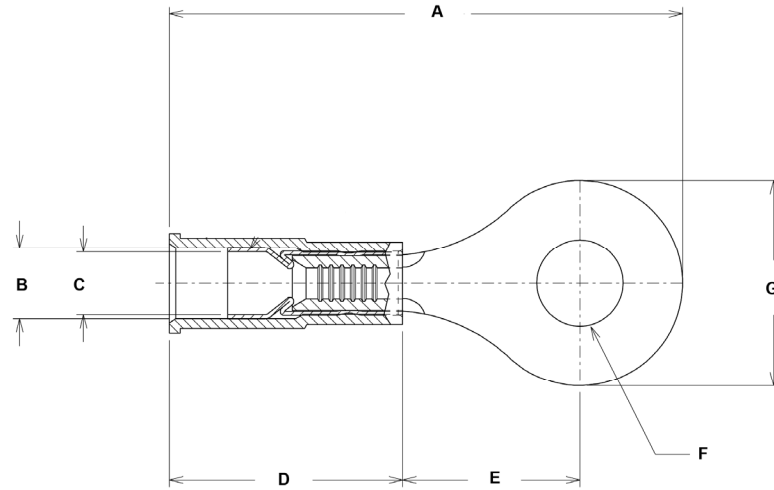


ADVANCED CABLE TIES PART NUMBER	A IN (mm) +/- .005 (.127mm)	B IN (mm) +/- .005 (.127mm)	C-Min. IN (mm) +/- .005 (.127mm)	D IN (mm) +/- .005 (.127mm)	E IN (mm) +/- .005 (.127mm)	F IN (mm) +/- .005 (.127mm)	G IN (mm) +/- .005 (.127mm)	COLOR/MATERIAL	COPPER COND. RANGE	REGULATORY
AL-R4B-6-C	.926 (23.52mm)	.175 (4.45mm)	.081 (2.06mm)	.455 (11.56mm)	.285 (7.24mm)	.146 (3.71mm)	.312 (7.92mm)	BLUE/VINYL	16-14	UL
AL-R4B-8-C	.926 (23.52mm)	.175 (4.45mm)	.081 (2.06mm)	.455 (11.56mm)	.285 (7.24mm)	.173 (4.39mm)	.312 (7.92mm)	BLUE/VINYL	16-14	UL
AL-R4B-10-C	.971 (24.66mm)	.175 (4.45mm)	.081 (2.06mm)	.455 (11.56mm)	.310 (7.87mm)	.198 (5.03mm)	.342 (8.69mm)	BLUE/VINYL	16-14	UL
AL-R4B-14-C	1.112 (28.24mm)	.175 (4.45mm)	.081 (2.06mm)	.455 (11.56mm)	.388 (9.86mm)	.265 (6.73mm)	.467 (11.86mm)	BLUE/VINYL	16-14	UL
AL-R4B-38-C	1.311 (33.30mm)	.175 (4.45mm)	.081 (2.06mm)	.455 (11.56mm)	.554 (14.07mm)	.390 (9.91mm)	.534 (13.56mm)	BLUE/VINYL	16-14	UL
AL-R4B-56-C	1.112 (28.24mm)	.175 (4.45mm)	.081 (2.06mm)	.455 (11.56mm)	.388 (9.86mm)	.328 (8.33mm)	.467(11.86mm)	BLUE/VINYL	16-14	UL
								BLUE VINYL INSULATED RING TERMINALS		
						COLOR: BLUE				
B	10/21/21	DW	RB	RB	ISO DOC	SHEET 1 OF 1	REV.: B	DRAWING NO.: VI-RT-B-B		
A	5/22/14	JA	KT	KT	INITIAL RELEASE	DRAWN BY	DATE	CHECK	SCALE	
REV	DATE	BY	CHK	APPROVE	DESCRIPTION	JA	5/22/14	KT	NONE	

CONFIDENTIAL PROPERTY OF ADVANCED CABLE TIES, INC.

THIS DRAWING IS PROVIDED ON A RESTRICTED BASIS AND IS NOT TO BE USED IN ANY WAY DETRIMENTAL TO THE INTERESTS OF ADVANCED CABLE TIES, INC.

SPC-4.10.106.2



ADVANCED CABLE TIES PART NUMBER	A IN (mm) +/- .005 (.127mm)	B IN (mm) +/- .005 (.127mm)	C-Min. IN (mm) +/- .005 (.127mm)	D IN (mm) +/- .005 (.127mm)	E IN (mm) +/- .005 (.127mm)	F IN (mm) +/- .005 (.127mm)	G IN (mm) +/- .005 (.127mm)	COLOR/MATERIAL	COPPER COND. RANGE	REGULATORY
AL-R4C-6-C	1.08 (27.4mm)	.250 (6.3mm)	.125 (3.17mm)	.555 (14.10mm)	.303 (7.70mm)	.146 (3.70mm)	.375 (9.53mm)	YELLOW/VINYL	12-10	UL
AL-R4C-8-C	1.08 (27.4mm)	.250 (6.3mm)	.125 (3.17mm)	.555 (14.10mm)	.303 (7.70mm)	.173 (4.39mm)	.375 (9.53mm)	YELLOW/VINYL	12-10	UL
AL-R4C-10-C	1.08 (27.4mm)	.250 (6.3mm)	.125 (3.17mm)	.555 (14.10mm)	.303 (7.70mm)	.198 (5.02mm)	.375 (9.53mm)	YELLOW/VINYL	12-10	UL
AL-R4C-14-C	1.25 (31.6mm)	.250 (6.3mm)	.125 (3.17mm)	.555 (14.10mm)	.393 (9.98mm)	.265 (6.73mm)	.530 (13.46mm)	YELLOW/VINYL	12-10	UL
AL-R4C-38-C	1.35 (34.3mm)	.250 (6.3mm)	.125 (3.17mm)	.555 (14.10mm)	.466 (11.84mm)	.390 (9.90mm)	.592 (15.04mm)	YELLOW/VINYL	12-10	UL
AL-R4C-56-C	1.35 (34.3mm)	.250 (6.3mm)	.125 (3.17mm)	.555 (14.10mm)	.466 (11.84mm)	.328 (8.33mm)	.592 (15.04mm)	YELLOW/VINYL	12-10	UL



YELLOW VINYL INSULATED RING TERMINALS

COLOR:

YELLOW

MATERIAL:

VINYL

B	10/21/21	DW	RB	RB	ISO DOC	SHEET 1 OF 1	REV.: B	DRAWING NO.: VI-RT-Y-B		
A	5/22/14	JA	KT	KT	INITIAL RELEASE	DRAWN BY	DATE	CHECK	SCALE	
REV	DATE	BY	CHK	APPROVE	DESCRIPTION	JA	5/22/14	KT	NONE	

CONFIDENTIAL PROPERTY OF ADVANCED CABLE TIES, INC.
THIS DRAWING IS PROVIDED ON A RESTRICTED BASIS AND IS NOT TO BE USED IN ANY WAY DETRIMENTAL TO THE INTERESTS OF ADVANCED CABLE TIES, INC.