

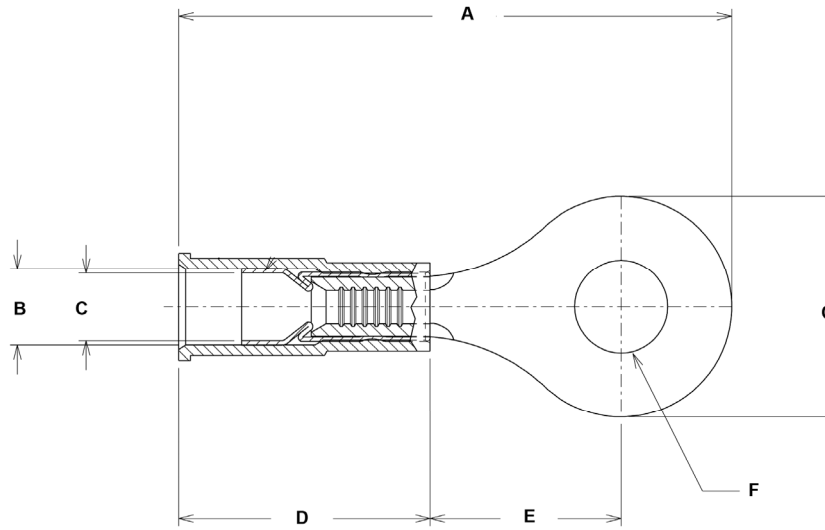
e

ADVANCED CABLE TIES PART NUMBER	A IN (mm) +/- .005 (.127mm)	B IN (mm) +/- .005 (.127mm)	C-Min. IN (mm) +/- .005 (.127mm)	D IN (mm) +/- .005 (.127mm)	E IN (mm) +/- .005 (.127mm)	F IN (mm) +/- .005 (.127mm)	G IN (mm) +/- .005 (.127mm)	COLOR/MATERIAL	COPPER COND. RANGE	REGULATORY
AL-R4B-6-N-C	1.022 (25.96mm)	.170 (4.32mm)	.081 (2.06mm)	.546 (13.87mm)	.285 (7.24mm)	.146 (3.71mm)	.312 (7.92mm)	BLUE/NYLON	16-14	UL
AL-R4B-8-N-C	1.022 (25.96mm)	.170 (4.32mm)	.081 (2.06mm)	.546 (13.87mm)	.285 (7.24mm)	.173 (4.39mm)	.312 (7.92mm)	BLUE/NYLON	16-14	UL
AL-R4B-10-N-C	1.067 (27.10mm)	.170 (4.32mm)	.081 (2.06mm)	.546 (13.87mm)	.310 (7.87mm)	.198 (5.03mm)	.342 (8.69mm)	BLUE/NYLON	16-14	UL
AL-R4B-14-N-C	1.208 (30.68mm)	.170 (4.32mm)	.081 (2.06mm)	.546 (13.87mm)	.388 (9.86mm)	.265 (6.73mm)	.467 (11.86mm)	BLUE/NYLON	16-14	UL
AL-R4B-38-N-C	1.407 (35.74mm)	.170 (4.32mm)	.081 (2.06mm)	.546 (13.87mm)	.554 (14.07mm)	.390 (9.91mm)	.534 (13.56mm)	BLUE/NYLON	16-14	UL
AL-R4B-56-N-C	1.208 (30.68mm)	.170 (4.32mm)	.081 (2.06mm)	.546 (13.87mm)	.388 (9.86mm)	.328 (8.33mm)	.467 (11.86mm)	BLUE/NYLON	16-14	UL
								<b>DOUBLE CRIMP BLUE NYLON INSULATED RING TERMINALS</b>		
						<b>COLOR: BLUE</b>		<b>MATERIAL: NYLON</b>		
B	10/21/21	DW	RB	RB	ISO DOC	SHEET 1 OF 1	<b>REV.: B</b>	DRAWING NO.: DC-NY-RT-B-B		
A	6/5/14	JA	KT	KT	INITIAL RELEASE	DRAWN BY	DATE	CHECK	SCALE	
<b>REV</b>	<b>DATE</b>	<b>BY</b>	<b>CHK</b>	<b>APPROVE</b>	<b>DESCRIPTION</b>	JA	6/5/14	KT	NONE	

CONFIDENTIAL PROPERTY OF ADVANCED CABLE TIES, INC.

THIS DRAWING IS PROVIDED ON A RESTRICTED BASIS AND IS NOT TO BE USED IN ANY WAY DETRIMENTAL TO THE INTERESTS OF ADVANCED CABLE TIES, INC.

SPC-4.10.107.2



ADVANCED CABLE TIES PART NUMBER	A IN (mm) +/- .005 (.127mm)	B IN (mm) +/- .005 (.127mm)	C-Min. IN (mm) +/- .005 (.127mm)	D IN (mm) +/- .005 (.127mm)	E IN (mm) +/- .005 (.127mm)	F IN (mm) +/- .005 (.127mm)	G IN (mm) +/- .005 (.127mm)	COLOR/MATERIAL	COPPER COND. RANGE	REGULATORY
AL-R4A-6-N-C	.855 (21.71mm)	.140 (3.56mm)	.062 (1.57mm)	.536 (13.61mm)	.157 (3.99mm)	.146 (3.70mm)	.235 (5.96mm)	RED/NYLON	22-18	UL
AL-R4A-8-N-C	1.027 (26.08mm)	.140 (3.56mm)	.062 (1.57mm)	.536 (13.61mm)	.270 (6.86mm)	.173 (4.39mm)	.327 (8.30mm)	RED/NYLON	22-18	UL
AL-R4A-10-N-C	1.027 (26.08mm)	.140 (3.56mm)	.062 (1.57mm)	.536 (13.61mm)	.270 (6.86mm)	.198 (5.02mm)	.327 (8.30mm)	RED/NYLON	22-18	UL
AL-R4A-14-N-C	1.206 (30.63mm)	.140 (3.56mm)	.062 (1.57mm)	.536 (13.61mm)	.386 (9.80mm)	.265 (6.73mm)	.477 (12.11mm)	RED/NYLON	22-18	UL
AL-R4A-38-N-C	1.405 (35.68mm)	.140 (3.56mm)	.054 (1.37mm)	.536 (13.61mm)	.552 (14.02mm)	.390 (9.90mm)	.544 (13.81mm)	RED/NYLON	22-18	UL
AL-R4A-56-N-C	1.206 (30.63mm)	.140 (3.56mm)	.062 (1.57mm)	.536 (13.61mm)	.386 (9.80mm)	.328 (8.33mm)	.477 (12.11mm)	RED/NYLON	22-18	UL



DOUBLE CRIMP RED NYLON INSULATED RING TERMINALS

COLOR:

RED

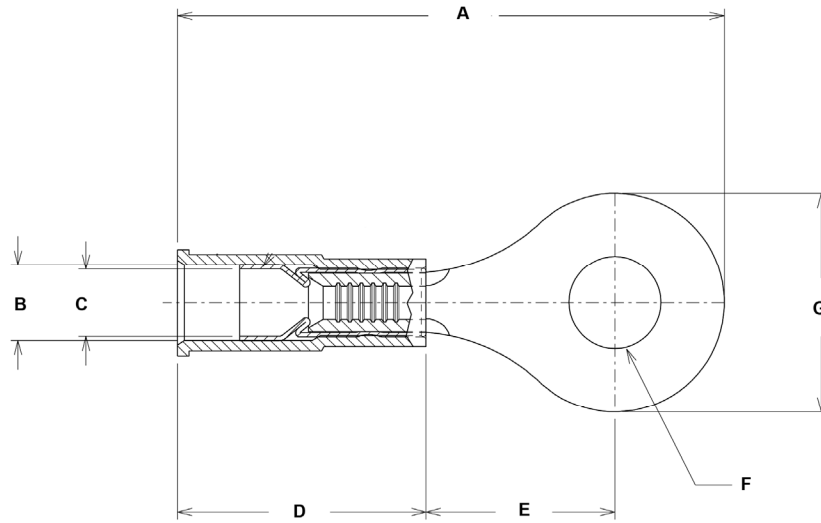
MATERIAL:

VINYL

B	10/21/21	DW	RB	RB	ISO DOC	SHEET 1 OF 1	REV.: B	DRAWING NO.: DC-NY-RT-R-B		
A	6/5/14	JA	KT	KT	INITIAL RELEASE	DRAWN BY	DATE	CHECK	SCALE	
REV	DATE	BY	CHK	APPROVE	DESCRIPTION	JA	6/5/14	KT	NONE	

CONFIDENTIAL PROPERTY OF ADVANCED CABLE TIES, INC.  
THIS DRAWING IS PROVIDED ON A RESTRICTED BASIS AND IS NOT TO BE USED IN ANY WAY DETRIMENTAL TO THE INTERESTS OF ADVANCED CABLE TIES, INC.

SPC-4.10.107.2



ADVANCED CABLE TIES PART NUMBER	A IN (mm) +/- .005 (.127mm)	B IN (mm) +/- .005 (.127mm)	C-Min. IN (mm) +/- .005 (.127mm)	D IN (mm) +/- .005 (.127mm)	E IN (mm) +/- .005 (.127mm)	F IN (mm) +/- .005 (.127mm)	G IN (mm) +/- .005 (.127mm)	COLOR/MATERIAL	COPPER COND. RANGE	REGULATORY
AL-R4C-6-N-C	1.205 (30.61mm)	.225 (5.72mm)	.128 (3.25mm)	.669 (16.99mm)	.303 (7.70mm)	.146 (3.71mm)	.375 (9.53mm)	YELLOW/NYLON	12-10	UL
AL-R4C-8-N-C	1.205 (30.61mm)	.225 (5.72mm)	.128 (3.25mm)	.669 (16.99mm)	.303 (7.70mm)	.173 (4.39mm)	.375 (9.53mm)	YELLOW/NYLON	12-10	UL
AL-R4C-10-N-C	1.205 (30.61mm)	.225 (5.72mm)	.128 (3.25mm)	.669 (16.99mm)	.303 (7.70mm)	.198 (5.03mm)	.375 (9.53mm)	YELLOW/NYLON	12-10	UL
AL-R4C-14-N-C	1.372 (34.85mm)	.225 (5.72mm)	.128 (3.25mm)	.669 (16.99mm)	.393 (9.98mm)	.265 (6.73mm)	.530 (13.46mm)	YELLOW/NYLON	12-10	UL
AL-R4C-38-N-C	1.476 (37.49mm)	.225 (5.72mm)	.128 (3.25mm)	.669 (16.99mm)	.466 (11.84mm)	.390 (9.91mm)	.592 (15.04mm)	YELLOW/NYLON	12-10	UL
AL-R4C-56-N-C	1.476 (37.49mm)	.225 (5.72mm)	.128 (3.25mm)	.669 (16.99mm)	.466 (11.84mm)	.328 (8.33mm)	.592 (15.04mm)	YELLOW/NYLON	12-10	UL
										
						DOUBLE CRIMP YELLOW NYLON INSULATED RING TERMINALS				
						COLOR: <b>RED</b>		MATERIAL: <b>VINYL</b>		
B	10/21/21	DW	RB	RB	ISO DOC		SHEET 1 OF 1	REV.: <b>B</b>		DRAWING NO.: DC-NY-RT-Y-B
A	6/5/14	JA	KT	KT	INITIAL RELEASE		DRAWN BY	DATE	CHECK	SCALE
REV	DATE	BY	CHK	APPROVE	DESCRIPTION		JA	6/5/14	KT	NONE

CONFIDENTIAL PROPERTY OF ADVANCED CABLE TIES, INC.  
THIS DRAWING IS PROVIDED ON A RESTRICTED BASIS AND IS NOT TO BE USED IN ANY WAY DETRIMENTAL TO THE INTERESTS OF ADVANCED CABLE TIES, INC.